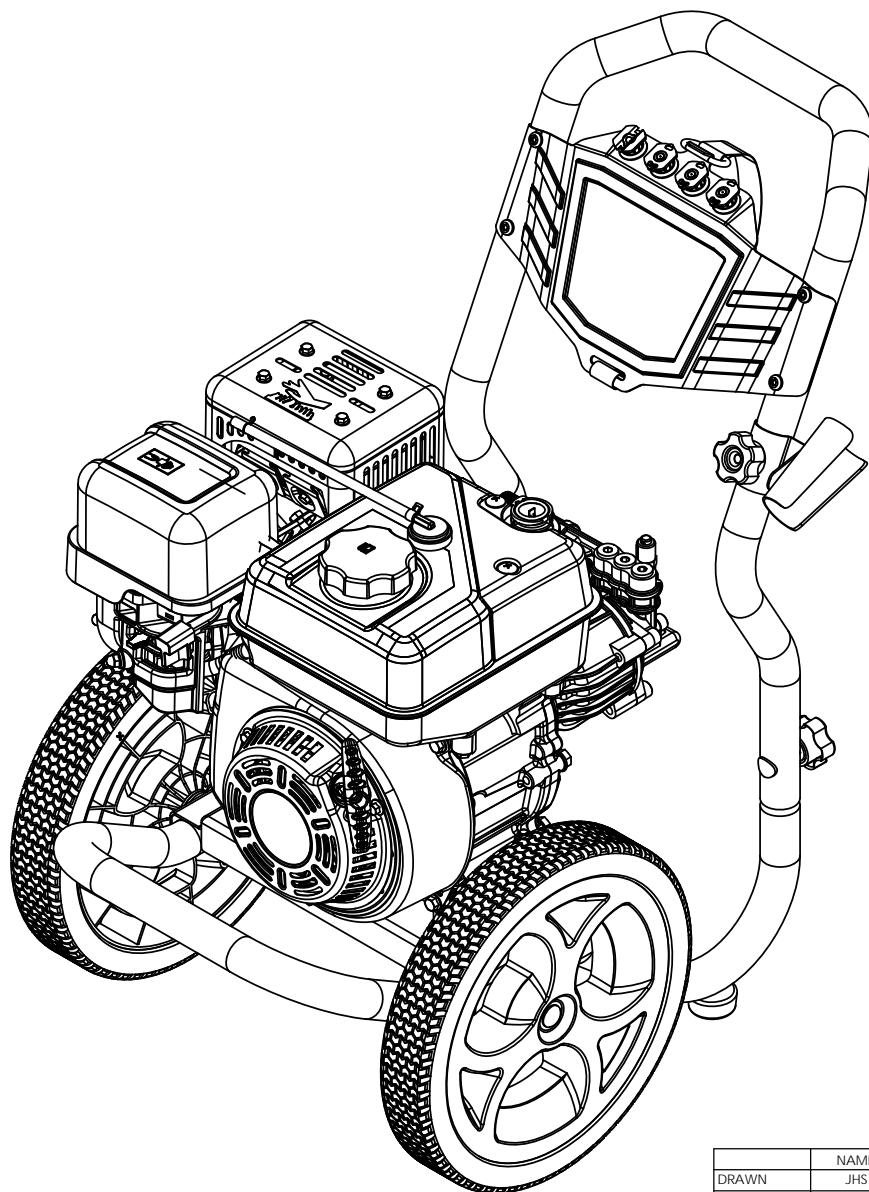


ITEM	PART NO	QTY.	DESCRIPTION
1	7110730	1	FRAME WELDMENT, CUB YELLOW
2	7109090	2	WHEEL KIT, AXLE, WHEEL, WASHER, CLIP
3	7103292	2	KIT, FOOT SVC ASY .625"
4	7107941	3	KNOB-BOLT ASSEMBLY
5	7108546	1	NOZZLE, 4 PC 1PCSS 1/4QC 0,15,40,&PSOAP
6	7110780	1	HANDLE SVC ASSY, 60931
6.1	7110779	1	DASHBOARD SERVICE ASSY, 60931
6.1.1	7106833	4	HOLDER, NOZZLE SINGLE
7	7110732	1	STEEL GUN HOLDER, BLACK
8	7109938	1	PUMP, SERVICE ASSY 520006 HORIZONTAL
9	7108382	1	HARDWARE KIT, ENGINE MOUNT VIBRATION DAMPING
10	7110771	1	ENGINE SVC ASSY W/ LABELS 60931

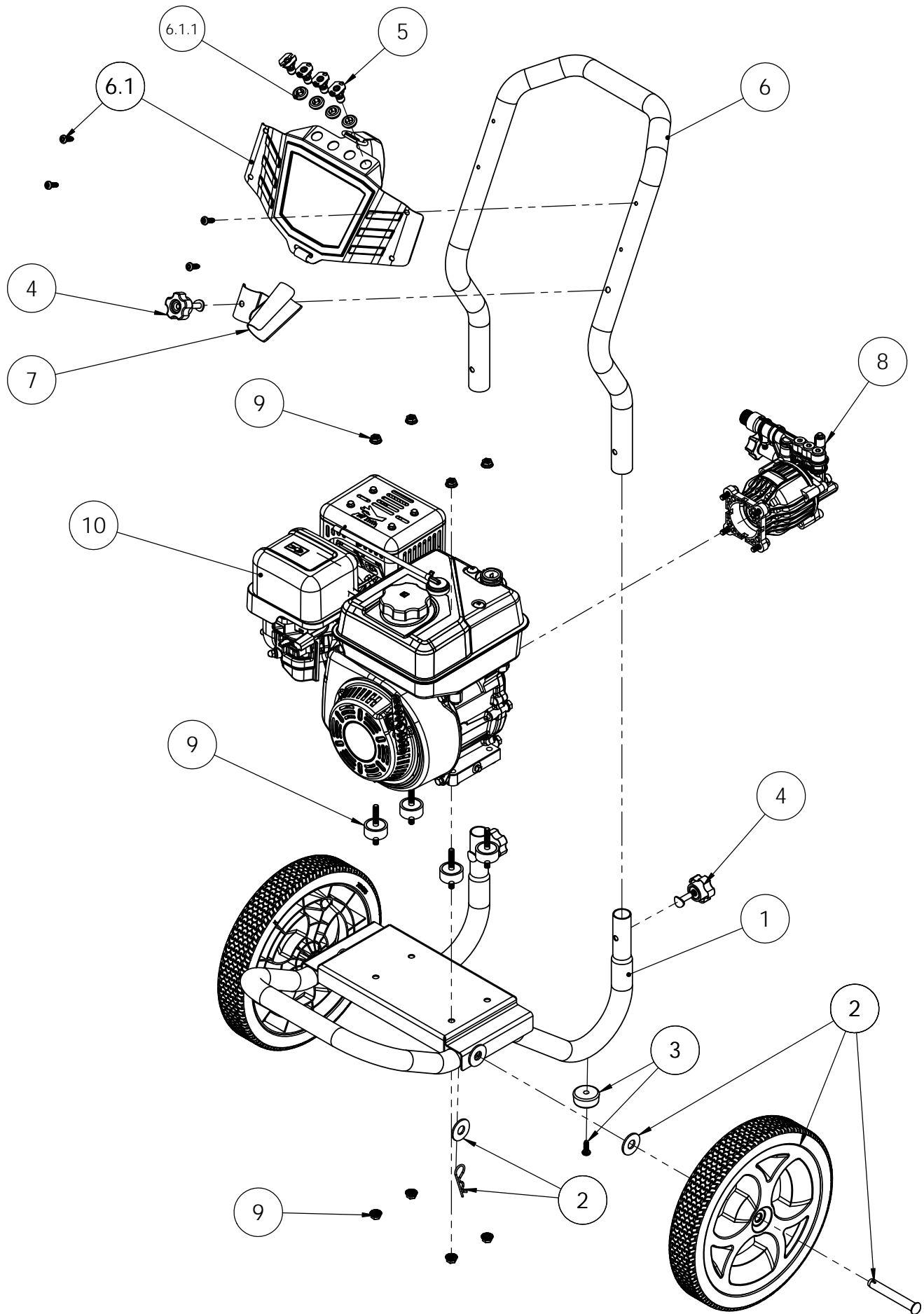


NAME			DATE		
DRAWN	JHS		JAN	2018	
CHECKED	DH/OSW		FEB	2018	
ENG APPR.	OSW		FEB	2018	
MFG APPR.	-		-	-	
Q.A. APPR.	-		-	-	
SERVICE APPR.	DH		FEB	2018	

<b>FNA-GROUP</b>		
1265 INDUSTRIAL STREET, DECATUR, AR 72722		
TITLE:		
60931 PW3024 CUB CADET 3000PSI @ 2.4GPM		
SIZE	DWG. NO.	REV.
<b>A</b>	60931-S	<b>A</b>
SCALE:	N/A	ECN# EC180069
		SHEET 1 OF 3

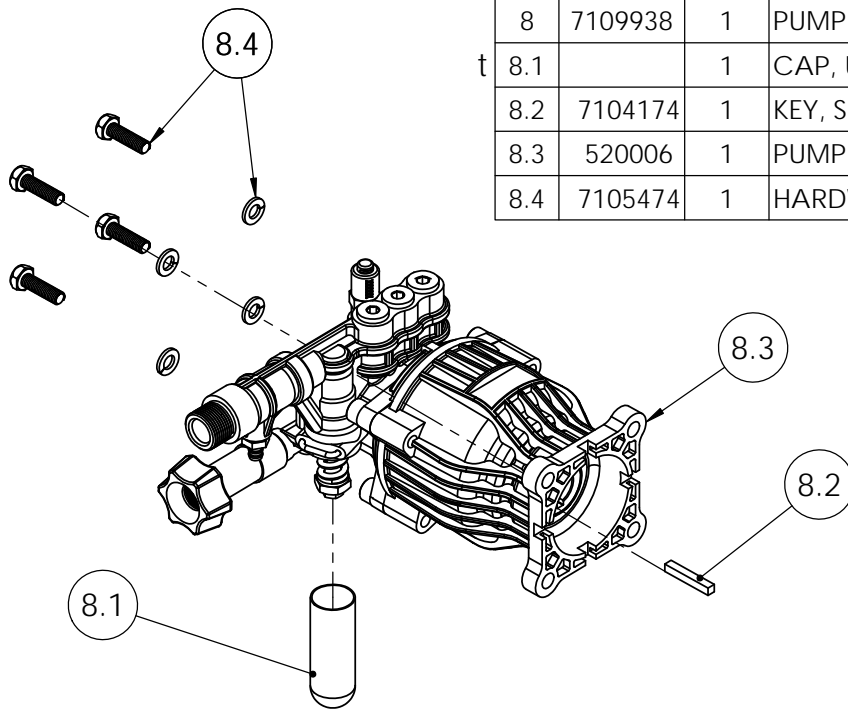
**PROPRIETARY AND CONFIDENTIAL**  
 THE INFORMATION CONTAINED IN THIS DRAWING IS THE SOLE PROPERTY OF FNA-GROUP. ANY REPRODUCTION IN PART OR AS A WHOLE WITHOUT THE WRITTEN PERMISSION OF FNA-GROUP IS PROHIBITED.



SIZE	DWG. NO.	REV.
<b>A</b>	60931-S	<b>A</b>
SCALE:	N/A	SHEET 2 OF 3
	ECN# EC180069	

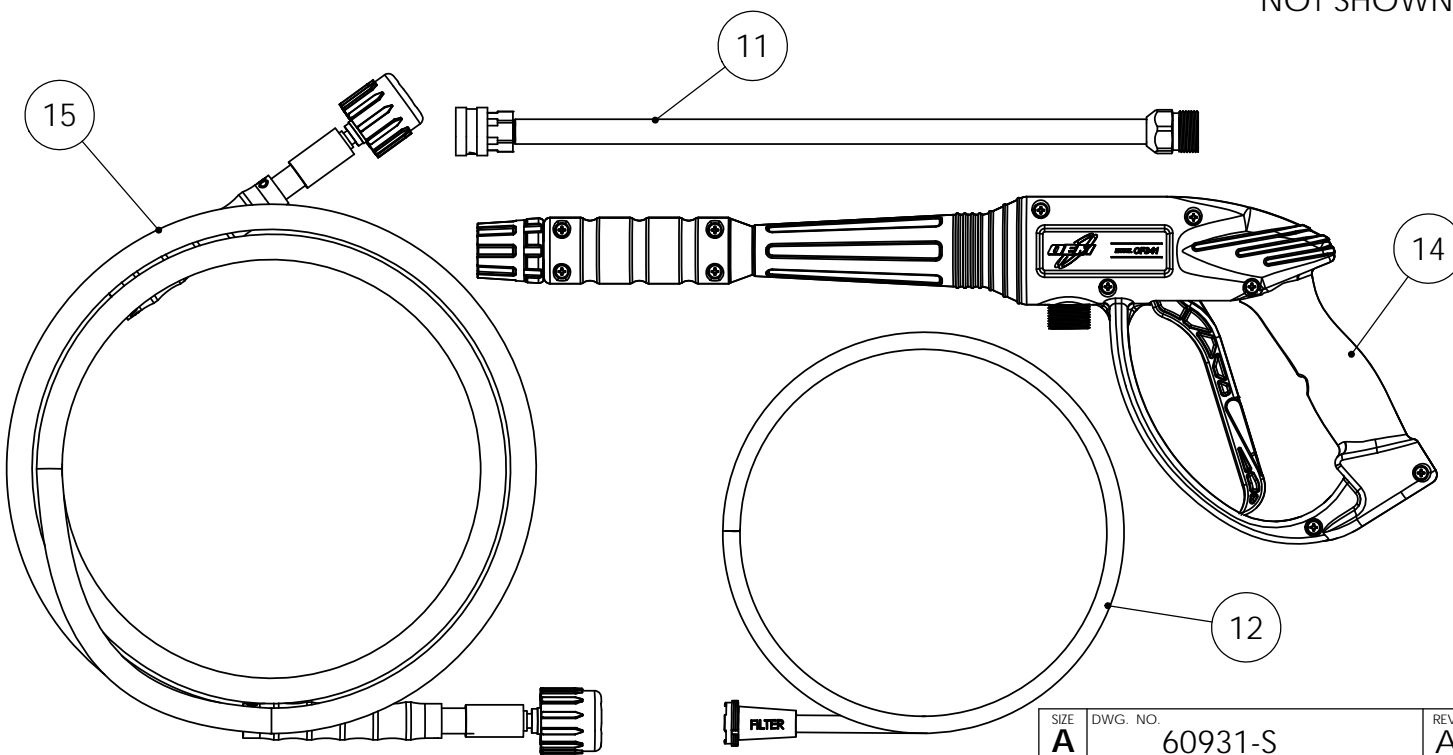
ITEM	PART NO	QTY.	DESCRIPTION
8	7109938	1	PUMP, SERVICE ASSY 520006 HORIZONTAL
t 8.1		1	CAP, UNLOADER COVER 1 1/2" x 5/8" BLACK
8.2	7104174	1	KEY, SHAFT 3/16" x 3/16" x 1 1/4"
8.3	520006	1	PUMP, HORZ, ALUM UNIHEAD
8.4	7105474	1	HARDWARE KIT, PUMP MOUNTING

† NOT SOLD SEPERATELY



ITEM	PART NO	QTY.	DESCRIPTION
11	7103550	1	LANCE, 16" W/ 1/4 OC AND M22(M)
12	7102207	1	KIT, SVC ASSY SOAP HOSE W/PLASTIC FILTER
* 13	7102045	1	TOOL, NOZZLE CLEANING, UNIVERSAL
14	7107956	1	GUN, OEM FRONT ENTRY, OF341 3400 PSI
15	7106419	1	HOSE, MORFLEX 1/4" x 25' x 3200PSI M22(M) x M22(F)

\* NOT SHOWN



SIZE	DWG. NO.	REV.
<b>A</b>	60931-S	<b>A</b>
SCALE: N/A	ECN# EC180069	SHEET 3 OF 3